

Disclose

the secret...

... the „KINI inside opener“

for external shutters!



„From inside“ – KINI Inside Opener for shutters

External shutters are becoming increasingly popular as they provide additional security, energy savings, better sunblock and a beautiful look.

KINI Inside Openers offer maximum ease of operation. Without having to open windows or doors, you can open and close shutters with a winder

Advantages of the KINI Inside Openers are:

- maximum level of comfort and security
- open and securely close shutters without clearing the windowsill
- smooth operation of shutters on windows and doors
- Self-locking gear design eliminates the need for a special lock
- Solutions available for a large variety of applications:
new construction and remodeling,
fixed glazing, sliding and hung windows
and casement and awning windows
- KINI Inside Openers fit wood, aluminum and vinyl shutters; can also be retrofitted to existing shutters
- available in all RAL colors.
- features KINI-Gear with special KINI-Hinges

Convenient operation through push of a button --
electric-drive

In situations where a winder is not practical, e.g. due to space restrictions, an electric-drive option is available.

Easy shutter operation by push of a button.

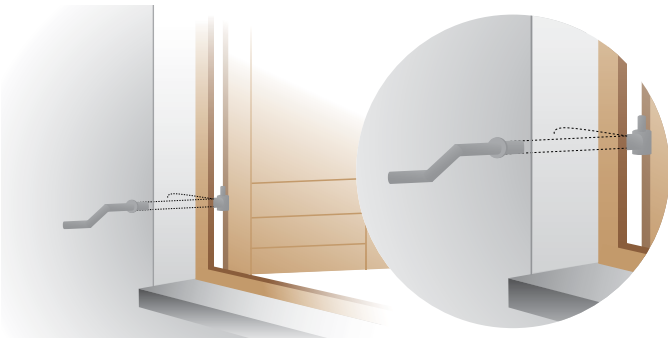
Shutters can be operated automatically by adding electronic controls.

Comfort and security

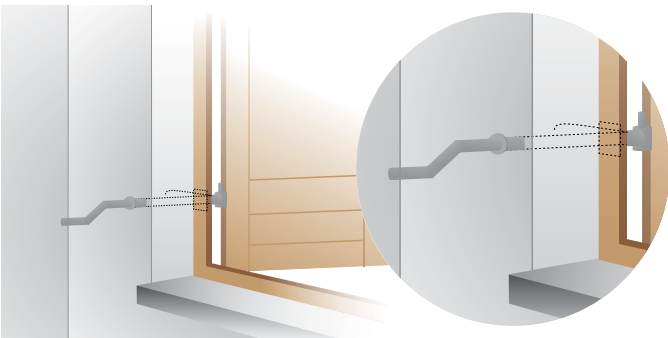


The right model for every application

How it works



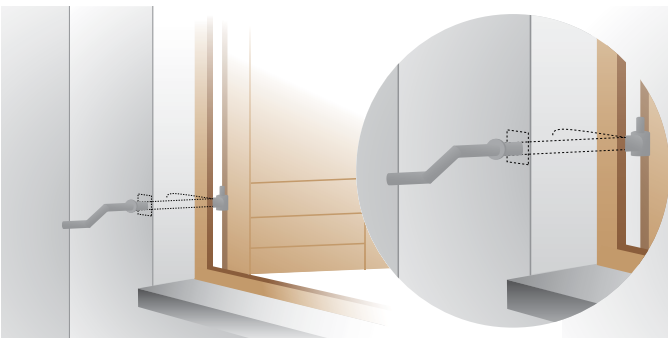
Inside opener for shutters Model 1900 A
for installation in brickwork,
with lateral brick anchor
left or right



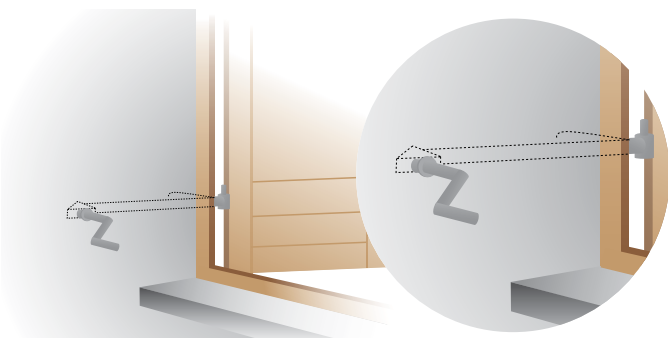
Inside Opener for shutters Model 1900 B
for screw installation with plate
left or right



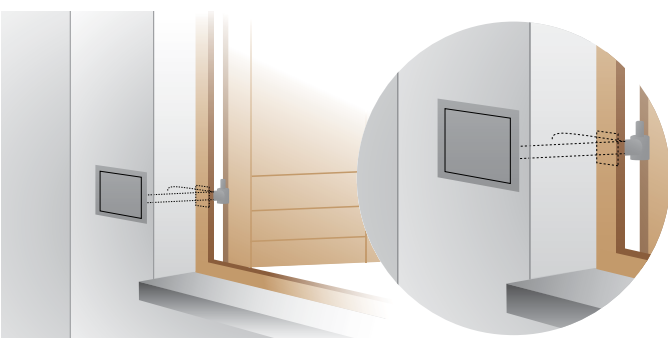
plate:
width: 60 mm height: 95 mm thick: 5 mm



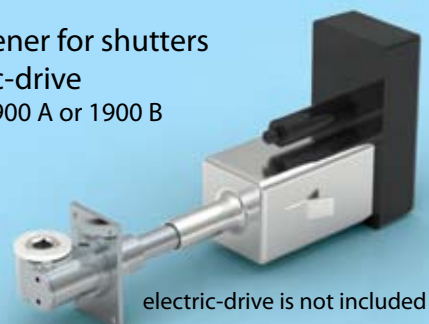
Inside Opener for shutters Model 1900 B
with staggered plate
for thermal insulation
left or right



Inside Opener for shutters Model 1905
with additional corner gear
for model 1900 A or 1900 B
left or right



Inside Opener for shutters
for electric-drive
for model 1900 A or 1900 B



electric-drive is not included

All Inside Openers are illustrated left.

Accessories for customized shutter applications

Please choose the right combination for your application by using the order-information on the back..

Cross hinges

1565/1900 1565 RU 1565/1900 RU 1565

Stopper

from 30 mm - 80

70 mm 60 mm 50 mm 40mm 30 mm

Centre hinges

1573/1900 1573 RU 1573/1900 RU 1573

Hooks, pindiameter 13 mm

at isolation 1583 for screwing 1978/32 f. mod. A
1978/37 f. mod. B

for mounting in brickwork 1584 S for screwing 1980

Length: 150, 190, 240, 300 mm Length 115, 165, 220, 260 mm

Corner hinges

1570-1900 RU 1570-1900

Winder

extendet 250, 350, 450 mm

1904 with univeral joint 1907 folding winder

nickel plated 1908/65 mm 1908/120mm

Long hinges

up to 400 mm 1680/1900
from 400 mm 1681/1900

up to 400 mm 1680
from 400 mm 1681

Accessories

shutter-stay 2282
adjust. stopper , 165, 220, 300 mm

shutter-lock 1655

Accessories for multiple shutters

Hinge 1579 S

Coupling 1910

Burglars have no chance

KINI inside-openers for shutters also offer burglar protection.

No additional locking required, due to the self-locking KINI gear design.

KINI inside shutter openers are designed to prevent manipulation from the outside – helps to keep intruders out

Braving any storm

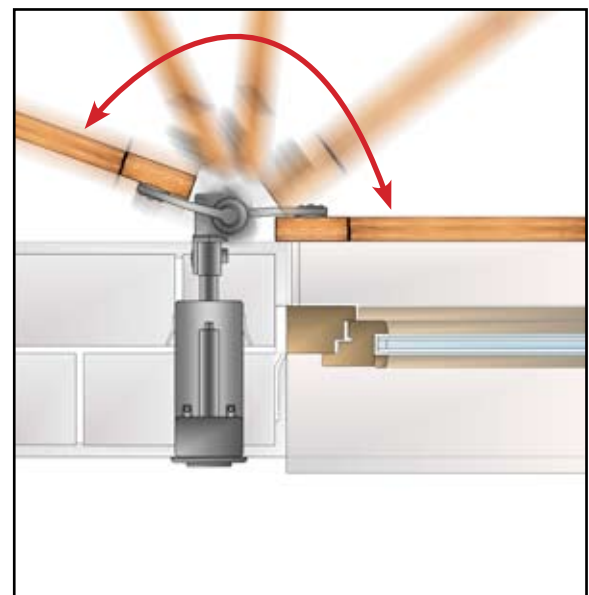
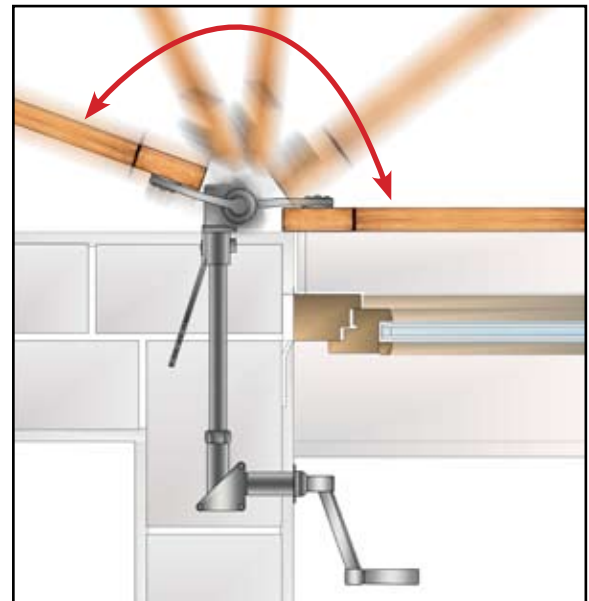
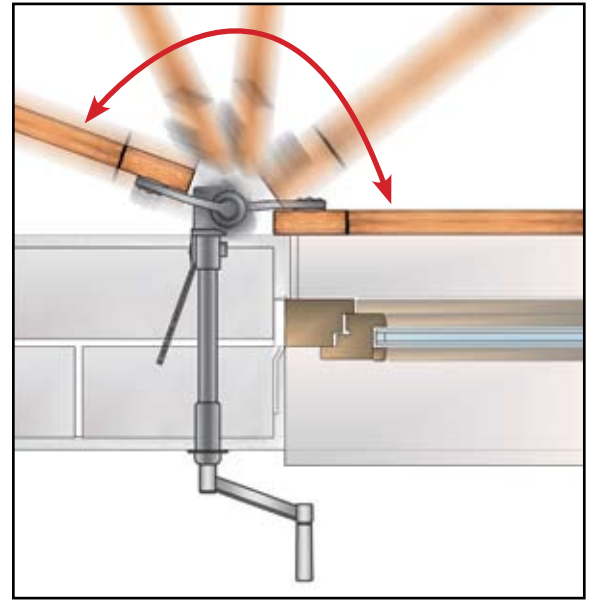
No matter what the weather outside, KINI Inside Openers withstand high wind loads and keep shutters closed.

They are proven to withstand even the harshest elements.

The self-locking gear design eliminates the need for a shutter stay.

KINI Inside Openers offer maximum ease of operation. Without having to open windows or doors, you can open and close shutters with a winder. Most convenient shutter operation from the inside during rain, snow or cold conditions outside, improves energy savings and comfort

typical sample applications



Ordering instructions

Only four simple questions to facilitate the order process .

Please answer the following questions as complete and accurate as possible.

1. Which model do you require?

1900 A: for mounting in brickwork

1900 B: for screw mounting

With additional corner gear?

Measure the total thickness of the wall (Measurement A) and the side where the opener is to be mounted (left or right) as seen from the inside.!

2. What kind of hinges do you require?

Cross hinge

Centre hinge

Corner hinge

Long hinge

Indicate mounting side (left or right) and version (1, 2 or 3)

3. Which hooks do you require?

Mounting in brickwork

Screwing into wood

Screwing onto walls

4. Do you require any accessories?

Winders

Stoppers

Hinges and couplings for multiple shutters?

Favorite colour ?

There are virtually no limits as to the available colours of KINI inside openers for shutters, every RAL colour finish can be supplied.

Whether you want the openers to match the colour of your shutters or whether you prefer them to stand out against the shutters - simply specify the desired RAL-Colourcode number in your order (according price).

Should you not quote any RAL colour code number in your order, all parts will be delivered with a standard galvanized finish.



KINI Beschläge GmbH

Hauptstrasse 103
42579 Heiligenhaus

Tel.: 0049 20 56 / 92 93 67 5
Fax: 0049 20 56 / 92 93 67 4

E-Mail: info@kini.de

We are convinced that our extensive and sophisticated program of KINI inside openers for shutters will meet your needs.

In case you require further Information or if you have any questions, we will be more than happy to assist you.